

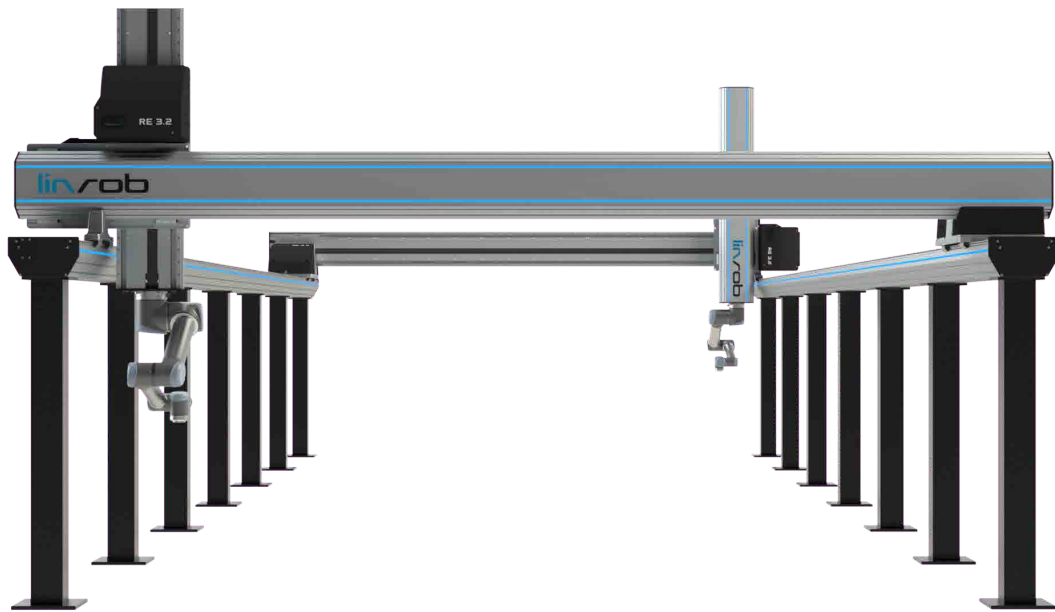
Linrob Range Extender

Linrob Automation GmbH

Each linrob range extender extends the working volume of each UR-cobot many times over - whether one, two or three-dimensional. The cobot does not lose any of its precision and ease of use. Each linrob is just as quick and easy to operate as the cobot itself. It doesn't matter whether your 7th axis is mounted on the floor, the wall or the ceiling - each linrob always adapts to your needs.

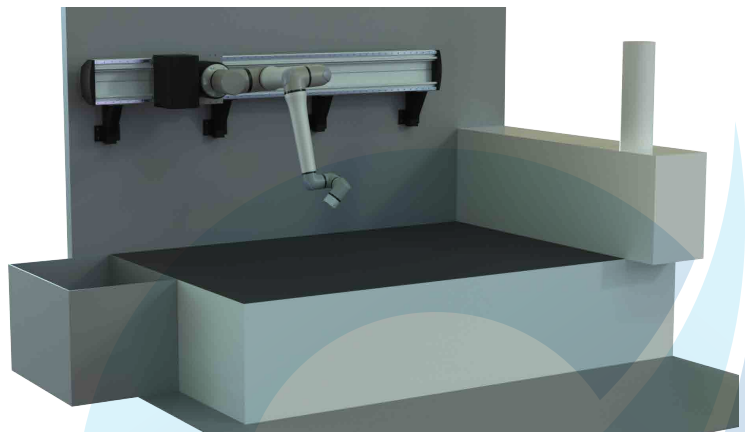
Thanks to the URCap, every combination of your linear robot can be taught and programmed directly from the UR's control panel. Simply place any UR on one of our linear robots and get started right away. It is suitable for all UR robot models - from UR3e up to UR30.

Download the latest version of the URCap now and start any automation task.



Features:

- Plug-and-play use of cobot and linear robot
- Programming and teaching of robot and axis from the Urs teach panel
- Ready for use within a few minutes
- Short delivery times
- Can be used in any industry



Specifications:

■ Software version required

Polyscope 5, UR's easy to use software that runs on the robot's teach pendant

linCap-UR 1.0.0, URcap designed to control linrob axes without additional software from the robot's teach pendant.

MotionCenter 2.3.0, Control system running on the controller to ensure a stable running system

■ Certifications and standards

CE conform

■ Dimensions

The dimensions of our linear robots depend on the requested dimensions.

An RE3 has a width of 330mm and a length of at least 2000mm.

An RE2 has a width of 200mm and a minimum length of 2000mm.

■ Dependencies

Motion Center - our own software to control our linear robots.

■ What's in the box?

- Linrob range extender (1 - 3 axis cartesian linear robot)
- Controller (electrical cabinet, IPC)
- Quick User Guide + Manual (URcap quick user guide)
- Manual (Technical specification and usage guide of the product)

■ License type

One-time purchase

